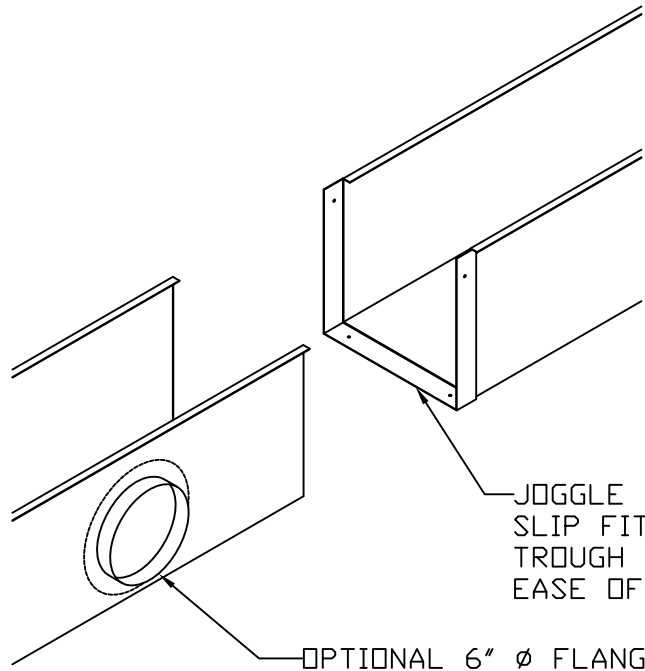


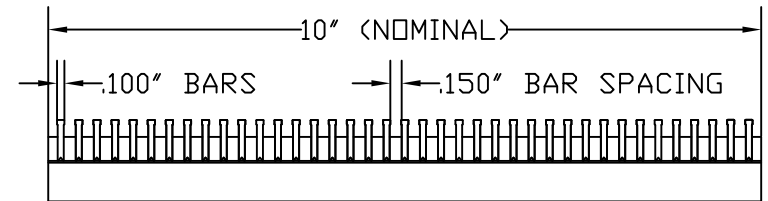
Self Supporting Perimeter Trough Detail Standard Design

Tate Access Floors, Inc.
7510 Montevideo Road
Jessup, MD 20794
Tel (410) 799-4200 Fax (410) 799-4207



JOGGLE ALLOWS FOR SLIP FIT BETWEEN TROUGH SECTIONS FOR EASE OF INSTALLATION

OPTIONAL 6" ϕ FLANGED CUTOUT



PENCIL PROOF BAR GRILLE

POSITION END OF BAR GRILLES SO THAT GRILLE JOINT IS NOT DIRECTLY OVER TROUGH JOINT

